

FILONite

Profiled Translucent GRP roofing sheets

Ideal for • Car Ports • Garage roofs • Covered walkways • Lean to's • Garden sheds • Workshops

- **Cost-effective sheets for a wide range of applications**
- **Natural daylighting with weather protection**
- **Long maintenance free life**
- **Very tough**
 - user friendly when being fixed
 - will withstand high winds and heavy hailstones
- **Easy to use**
 - can be fixed and cut with simple hand tools
 - no specialised equipment or knowledge required
- **Manufacture assured to ISO 9001:2000**



FILON[®]

The durable, long-life solution...

A long, maintenance free life of 20 years plus can be expected. Only occasional washing of the external surface is required to maintain the best levels of light transmission.

Drill it.. nail it.. bend it - Filonite will withstand the toughest treatment!

Filonite profiles are made from Glass Reinforced Polyester. It is a very tough material (used for car bodies and ocean racing yachts) such that when fixed it will withstand hailstones and high winds. Light to carry and easy to fix, it can be trimmed with a saw, and fixing holes can be punched with drive screw roofing nails without sheets cracking or shattering. Holes for bolt and hook fixings should be pre-drilled using a drill bit of a similar size to the bolt.

Filonite doesn't suffer from expansion and contraction problems either. It won't 'sag' in hot weather or become brittle in the cold.

Maximum light for working areas

Filonite is a clear lightweight GRP sheet, available in two profile: Filonite S with a Sinusoidal profile and Filonite T, with a trapezoidal profile. Both sheets offer an exceptional 94% light transmission to give maximum light where you need it.

Fire Resistant too!

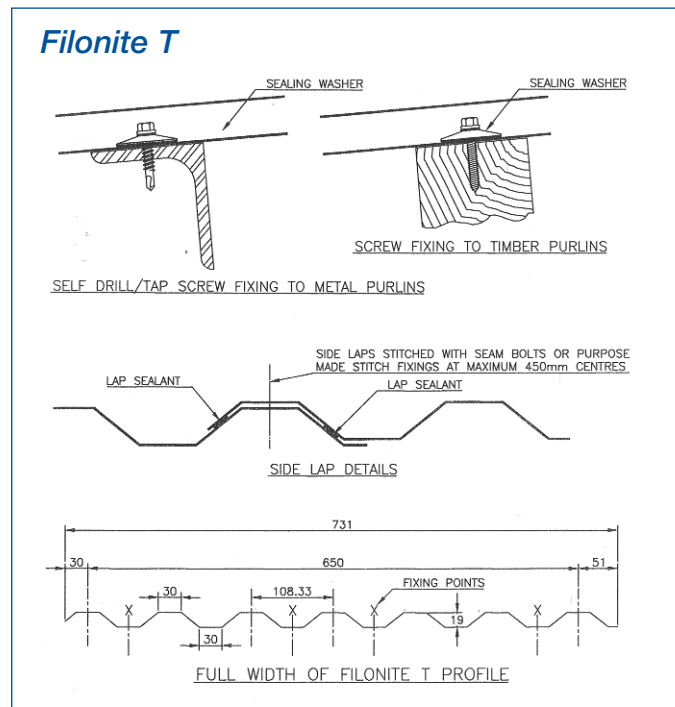
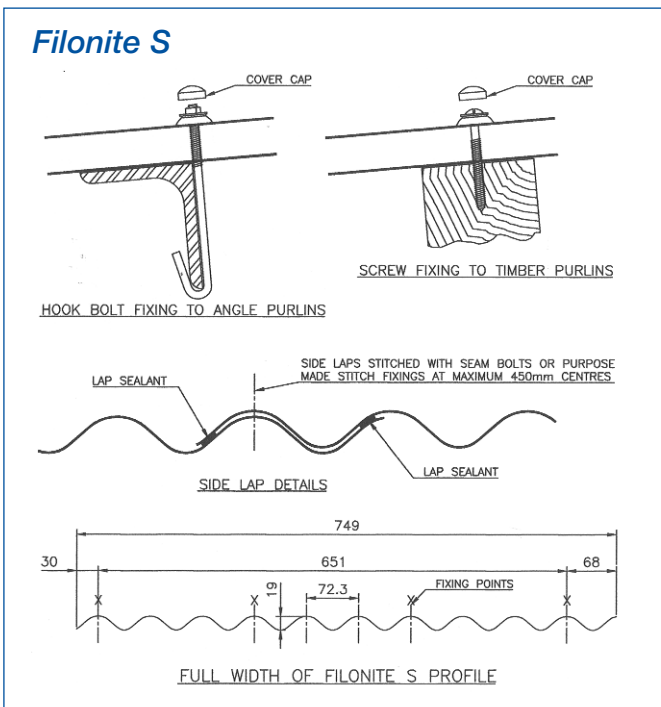
Independent tests under BS476 'fire tests': Parts 3 and 7 confirm Filonite sheets have been designated AB and rated Class 3.

Statutory requirements allow Filonite to be used for part or complete roofs on:

- Extensions to single and two storey dwellings.
- Open sided buildings such as car ports, loading bays and covered ways provided that one of the longest sides is fully open.
- Single storey detached stores and agricultural buildings used only for storage and housing livestock.
- On non-residential buildings and dwellings exceeding two storeys – single storey extensions up to 40m².

Great Value for Money!

Competitively priced, Filonite initial costs are low plus there are long term savings by being maintenance free with an excellent life expectancy. Filon GRP sheets are clear favourites for a lighter environment, a longer life, and excellent long term value for money.



Recommended purlin and vertical rail centres 1m. Note that, although shatter resistant, Filonite is flexible and must not be stood on when on the roof. It is recommended that a sealing tape is used at side lap positions as illustrated.

Supplied by

FILON[®]

Filon Products Limited

Unit 3, Ring Road, Zone 2, Burntwood Business Park, Burntwood, Staffordshire WS7 3JQ, England

Tel: +44 (0)1543 687300 Fax: +44 (0)1543 687 303 Email: sales@filon.co.uk

www.filon.co.uk

