



VALLEY TROUGH RANGE

V-Flow | ConSeal

Proven, practical
and **patented** systems.

FILON[®]
ON YOUR SIDE

THE **FILON WAY**

WE GO ABOVE AND BEYOND.



We have been producing high-quality GRP rooflighting and roofing systems **since the 1950s.**

Our manufacturing hub in Burntwood, Staffordshire **carries ISO 14001 environmental certification** and **our whole company is ISO 9001 certified.**

Every Filon rooflight, sheet and valley trough is made by a team that takes **pride in its work and understands the pressures on yours.**

OUR 'ON YOUR SIDE' APPROACH:

ON TIME

Delivering when it matters with fair lead times and technical advice that saves time. All with a flexible approach and can-do attitude to meet your needs wherever possible.

ON SPEC

Products that meet every detail. Designed and tested for long-term service, with traceable evidence behind every claim.

ON POINT

Expertise that solves problems fast, with over 60 years of UK manufacturing and continuous improvement behind us.

ASSOCIATIONS

Filon is an **active member of a number of recognised trade and industry bodies** that promote best practice, safety and quality across the construction sector:



THE ROOFLIGHT ASSOCIATION

The Rooflight Association (RA)



LEADING ROOFING EXCELLENCE

National Federation of Roofing Contractors (NFRC)



Liquid Roofing & Waterproofing Association

Liquid Roofing & Waterproofing Association (LRWA)



Rural & Industrial Design & Building Association

Rural & Industrial Design & Building Association (RIDBA)



Composites UK Trade Association



Metal Cladding & Roofing Manufacturers Association (MCRMA)



The NBS (The National Building Specification)

These memberships reflect Filon's commitment to product integrity, industry collaboration and continuous improvement.

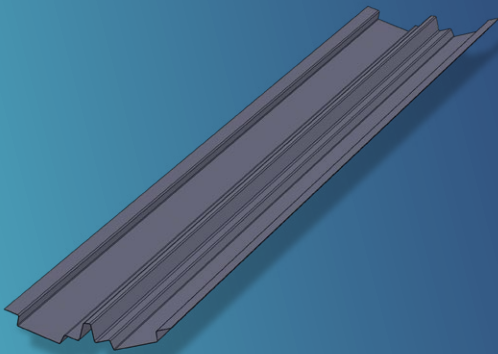
GRP VALLEY TROUGH RANGE

TRADITIONAL DETAIL. MODERN MATERIAL.

Lead valleys have been used for generations. They are also heavy, labour-intensive and vulnerable to theft.

Filon GRP valley troughs provide the same visual outcome, with lower weight, consistent manufacture and simplified installation.

WE OFFER TWO SYSTEMS:



V-Flow Valley Range

The cost-effective alternative to lead roof gutters.

V-Flow is a complete GRP valley trough range covering wet- and dry-fix configurations, with matching closures, bonding strips and accessories. With a life expectancy of over 30 years, it provides consistent, factory-controlled profiles and a significantly lower material weight than lead, supporting simplified transport and handling on site.

Much of the range is covered by BBA Certificate No. 07/4492.

ConSeal Valley

ConSeal Valley Trough is our unique, patented dry-fix trough that sits beneath the roof covering, leaving only the tile or slate visible. It delivers the classic stitched-valley look using plain tiles or slates, without the need for expensive lead soakers and significantly reduces the requirement for the expensive tile-and-a-half and slate-and-a-half.

Suitable for slate, plain tile and flat tile applications.
Patent No. GB2613936.



CONSEAL VALLEY

THE HERITAGE LOOK. THE MODERN SOLUTION.

For many projects, the valley detail defines the roofline.

A stitched or closed valley has long been associated with traditional craftsmanship and high-end residential roofing. It is precise, clean and visually refined.

ConSeal Valley delivers this appearance using GRP.

The trough is concealed beneath the roof covering, allowing the roof tiles or slates to meet tightly along the centre line. There is no open valley channel and no visible lead strip.



YOU ACHIEVE THE HERITAGE STITCHED LOOK:

WITHOUT individual lead soakers

WITHOUT complex leadwork

WITHOUT the weight and cost of lead



IT IS A TRADITIONAL AESTHETIC, EXECUTED WITH A MODERN MATERIAL.

Installation is mortar-free, providing a long-term, zero maintenance solution with none of the problems associated with mortar failure.

WHY **CONSEAL VALLEY** MAKES SENSE

**MAXIMUM
MAXIMUM
MAXIMUM**

**STRENGTH
SUPPORT
STYLE**

The ConSeal Valley Trough is the modern, cost-effective way to achieve a traditional stitched valley appearance.



SAVES TIME AND MONEY

No expensive lead soakers required, reducing material and skilled labour costs.

NO VALLEY ROOF TILE REQUIRED

A classic heritage appearance without the need for costly valley roof tiles on plain tile roofs.

FEWER TILE-AND-A-HALF OR SLATE-AND-A-HALF REQUIRED

Short span between support ledges means there are far fewer unsupported small cut tiles or slates, providing significant cost savings, and no additional tile support pieces are required.

NO SPECIAL EAVES CLOSURES REQUIRED

No gaps at the foot of the valley to fill, the fascia board is simply square cut to fit the valley trough profile.

UNIQUE 'S' DESIGN

Patented 'S' design creates a narrow span between tile support ledges whilst maintaining wide drainage channels.

MULTI-USE PRODUCT

A single valley trough product for use with natural and man-made slates; clay or concrete plain tiles; and flat tiles.

A PATENTED SOLUTION

ConSeal Valley Trough is protected by UK Patent No. GB2613936.

This concealed valley profile is unique to Filon and can be sourced from Filon stockists and distributors. Please contact the Filon Sales Office for more information.

TESTED FOR THE TOUGHEST CONDITIONS

INDEPENDENT WIND-DRIVEN RAIN TESTING AT BRE

A valley detail carries concentrated water flow. It must perform when the weather turns.

ConSeal Valley Trough was independently tested at the BRE facility in Watford for resistance to wind-driven rain.

Testing was undertaken in accordance with:

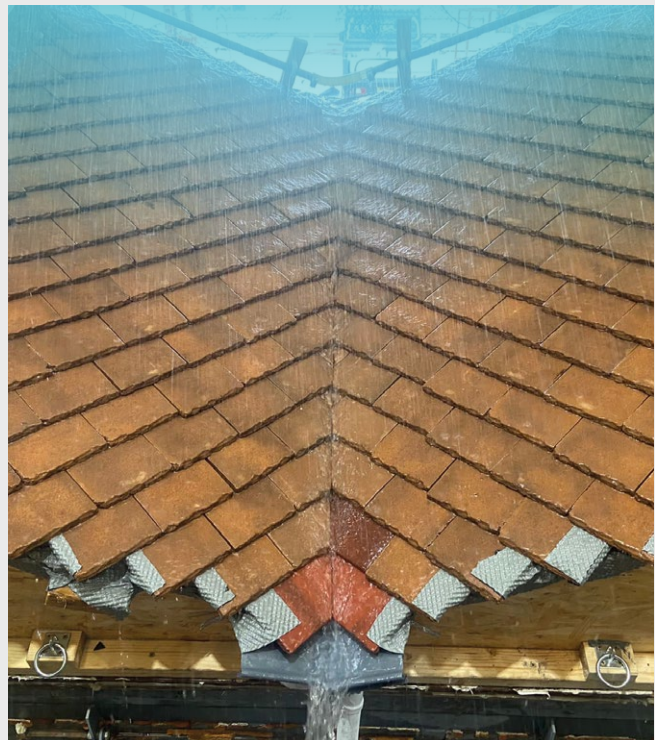
PD CEN/TR 15601 Test B | PD CEN/TR 15601 Test D

TEST CONFIGURATION

- Slate installation at 25° pitch
- Plain tile installation at 30° pitch
- Rainfall simulation equivalent to 60mm/hour combined with 13m/s wind speed
- Deluge testing at 225mm/hour

These conditions represent weather events that, on average, occur only once in a 50-year period in Northern Europe.

A standard dry-fix valley trough (GDFVT110) was tested alongside as a baseline reference point.



THE RESULT

ConSeal Valley performed as intended. Both valley systems exceeded performance expectations and at no point showed any indication of leakage or failure.

CONSEAL VALLEY PRODUCT SPECIFICATION

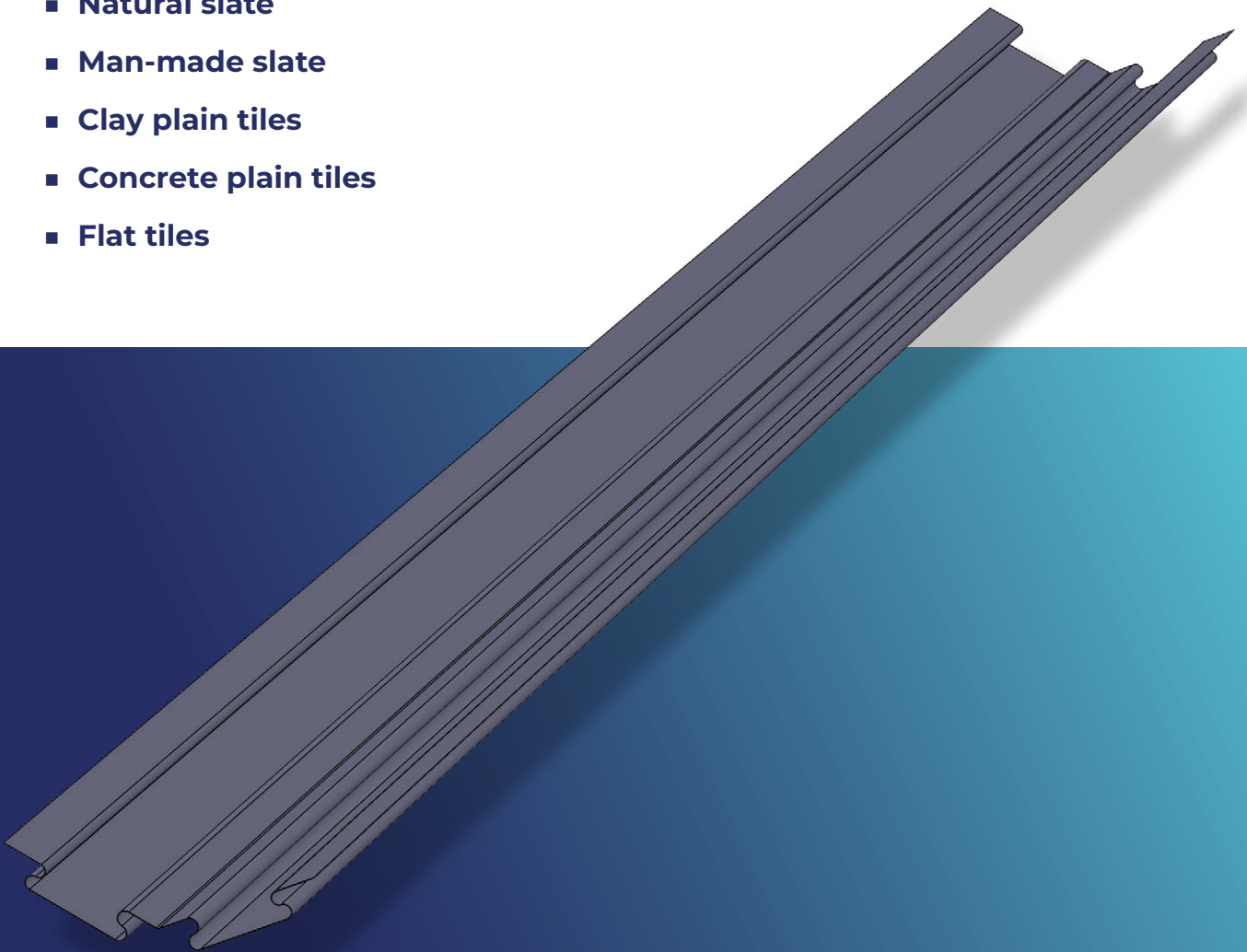
PRODUCT NAME: CONSEAL VALLEY TROUGH

Product Code:	Application:	
GDFCVT1	Slate, plain tiles and other flat tiles.	
Length:	Overall Width:	Overall Width:
3000mm	280mm	Lead-grey Glass Reinforced Polymer (GRP)

Manufactured to consistent, factory-controlled profiles to ensure repeatable detailing along the full valley length.

DESIGNED FOR USE WITH:

- Natural slate
- Man-made slate
- Clay plain tiles
- Concrete plain tiles
- Flat tiles



V-FLOW VALLEY RANGE

THE COST-EFFECTIVE ALTERNATIVE TO LEAD.

V-Flow is Filon's complete GRP valley trough range for pitched roof valley applications.

It delivers the traditional lead valley detail using lighter, consistently manufactured GRP components.

Designed for modern site conditions and long-term roofing performance.



A FULL RANGE, NOT A SINGLE TROUGH

THE V-FLOW RANGE INCLUDES:

- Standard open valley troughs
- Wet-fix configurations
- Closed dry-fix over-batten systems
- Closed dry-fix under-batten systems
- Bonding strips
- Eaves support trays
- Damp proof courses for party walls
- End closures
- Support accessories

Compatible with:

Natural slate

Man-made slate

Clay tiles

Concrete tiles

Plastic tiles

V-FLOW STANDARD RANGE

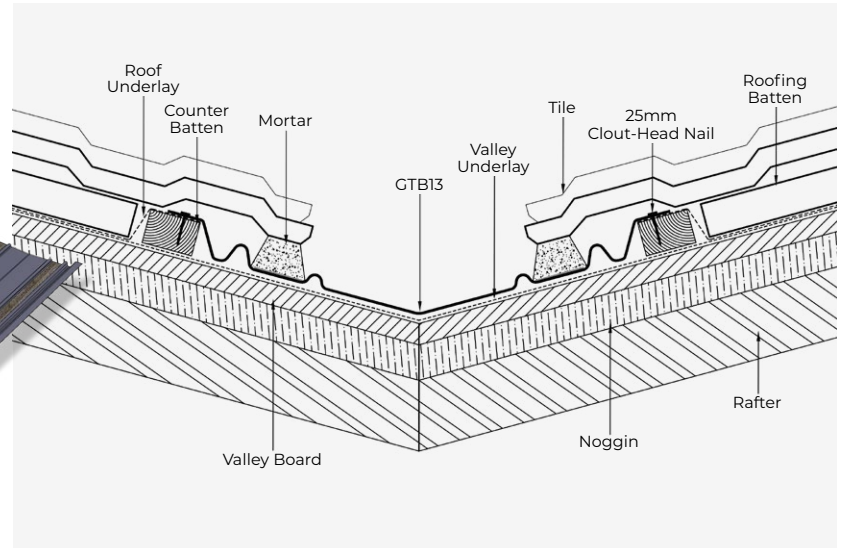
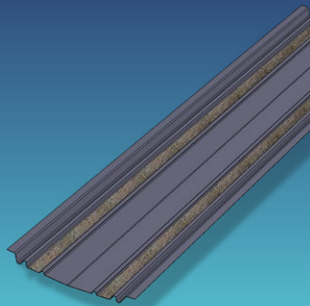
OPEN VALLEY TROUGHS

Manufactured in blue-grey GRP to replicate the appearance of lead.
Designed for traditional open valley detailing on slate and tile roofs.

NARROW VALLEY TROUGH

Single lap tile – over batten fix
3000 x 360mm

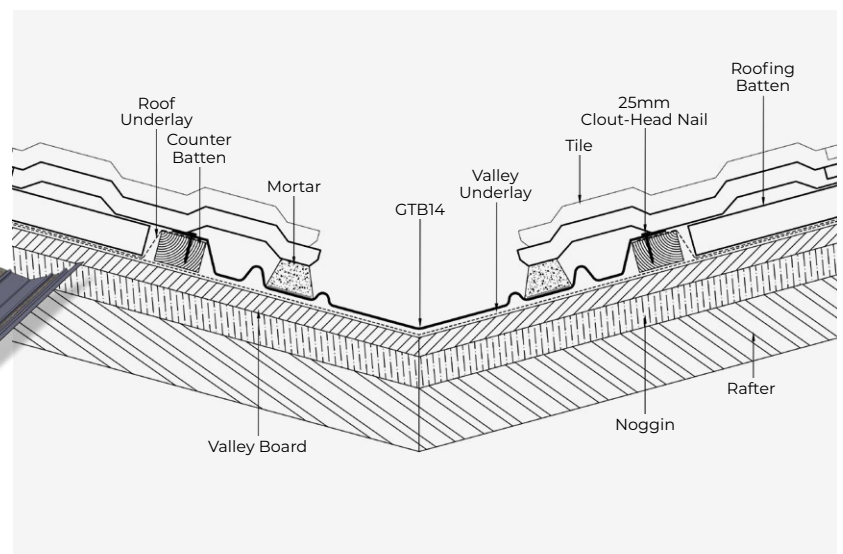
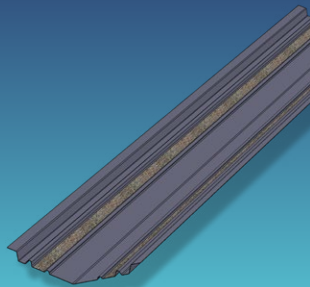
GTB13



STANDARD VALLEY TROUGH

Single lap tile – over batten fix
3000 x 400mm

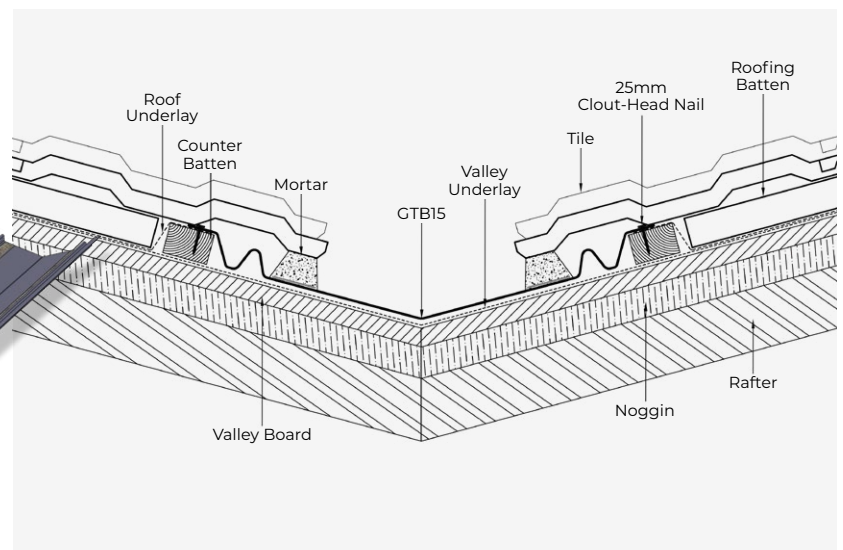
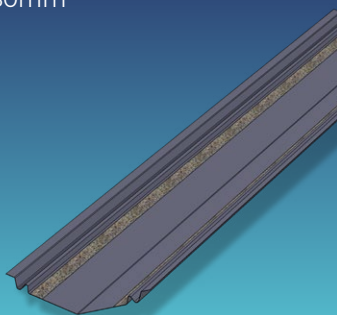
GTB14



STANDARD VALLEY TROUGH

Single lap tile – over batten fix
3000 x 380mm

GTB15



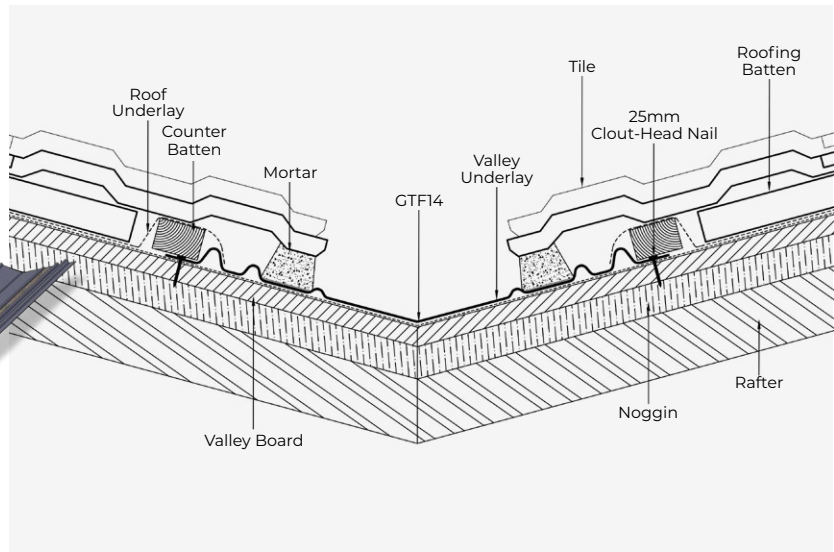
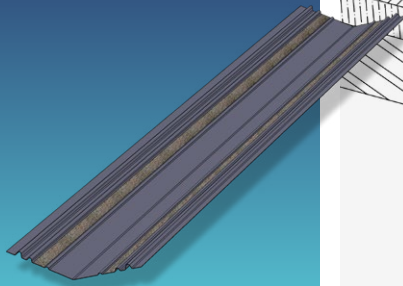
V-FLOW STANDARD RANGE

OPEN VALLEY TROUGHS

STANDARD VALLEY TROUGH

Single lap tile – under batten, flat fix
3000 x 400mm

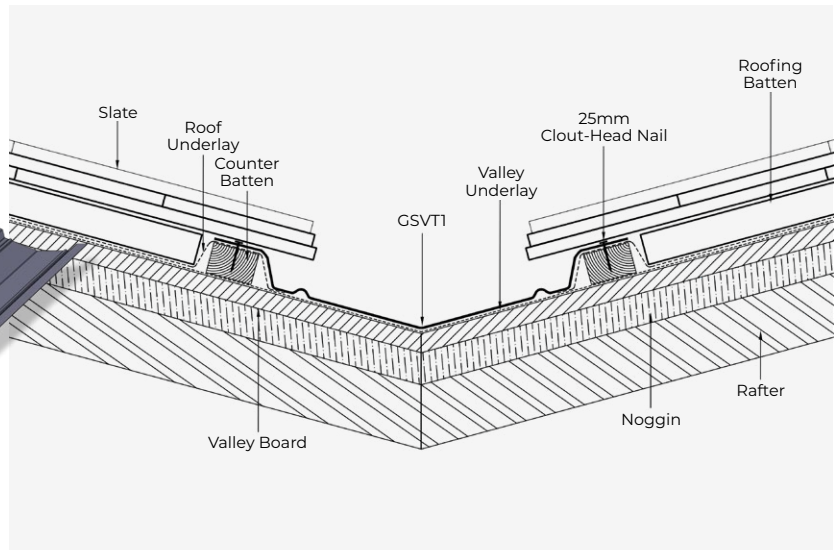
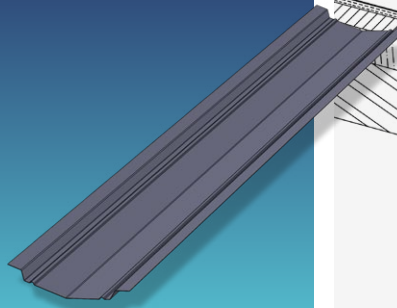
GTF14



SLATE VALLEY TROUGH

Natural or man-made slates
3000 x 330mm

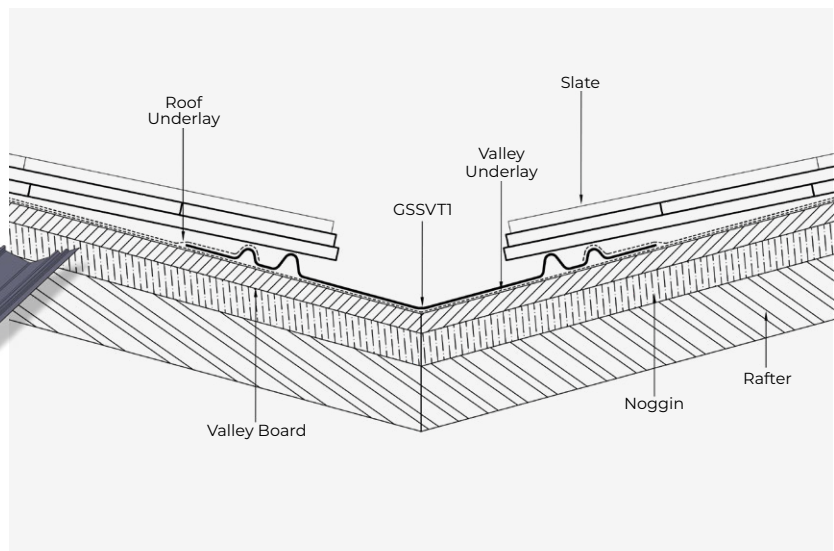
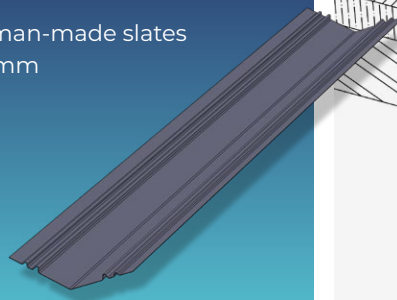
GSVT1



SCOTTISH APPLICATION SLATE VALLEY TROUGH

Natural or man-made slates
3000 x 334mm

GSSVT1

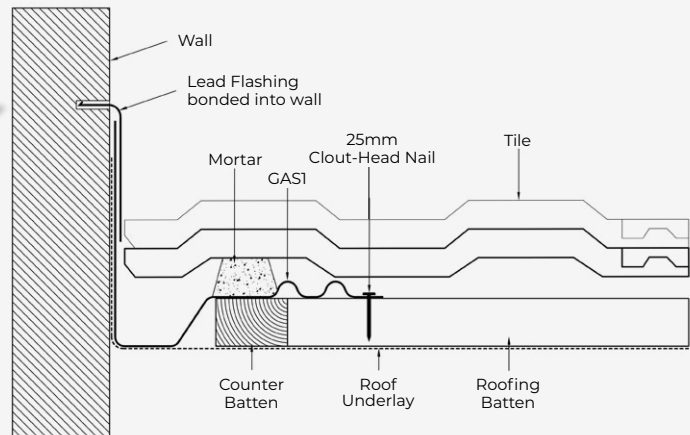
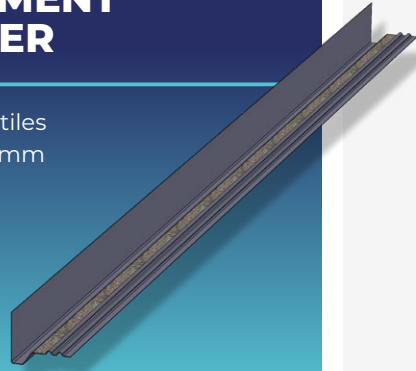


ABUTMENT AND JOINING COMPONENTS

ABUTMENT SOAKER

Slates and tiles
3000 x 140mm

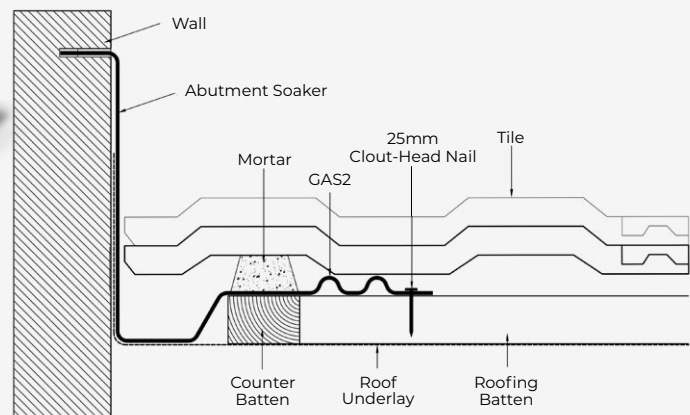
GAS1



LIPPED ABUTMENT SOAKER

Slates and tiles
3000 x 195mm

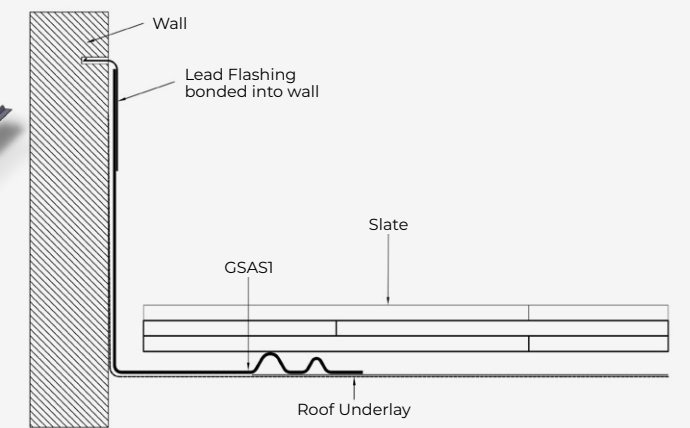
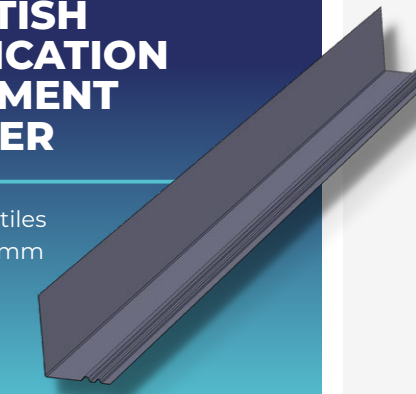
GAS2



SCOTTISH APPLICATION ABUTMENT SOAKER

Slates and tiles
3000 x 160mm

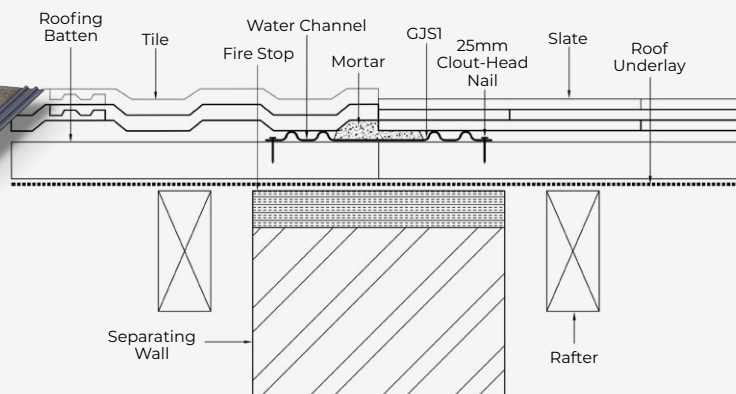
GSAS1



SECRET JOINING STRIP / MORTAR BEDDING BONDING STRIP

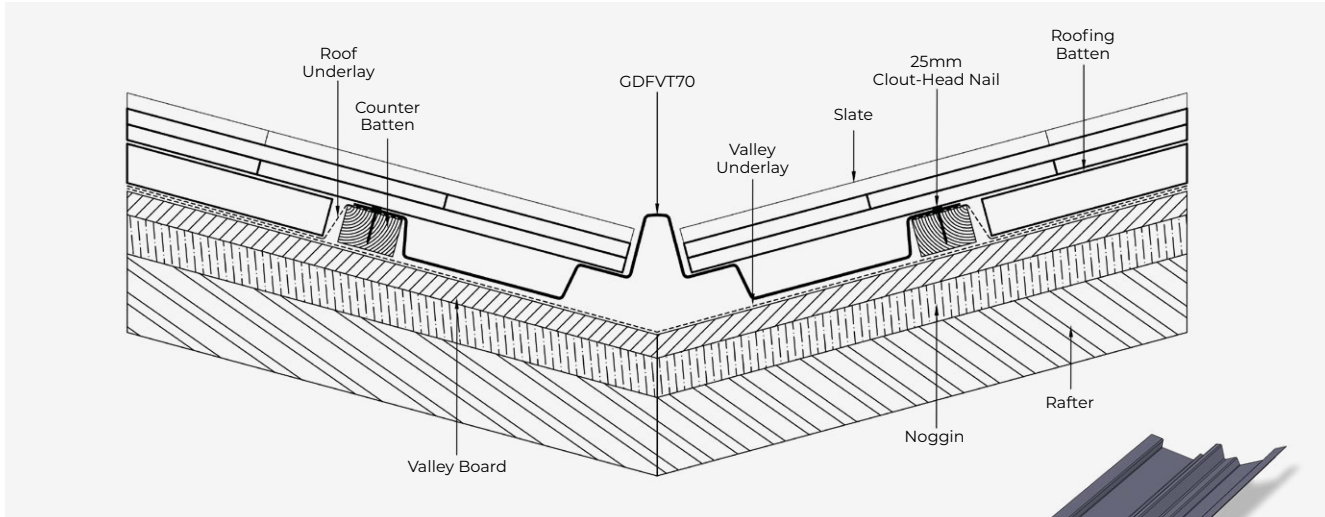
Slates and tiles
3000 x 216mm

GJS1



DRY-FIX RANGE – OVER BATTEN

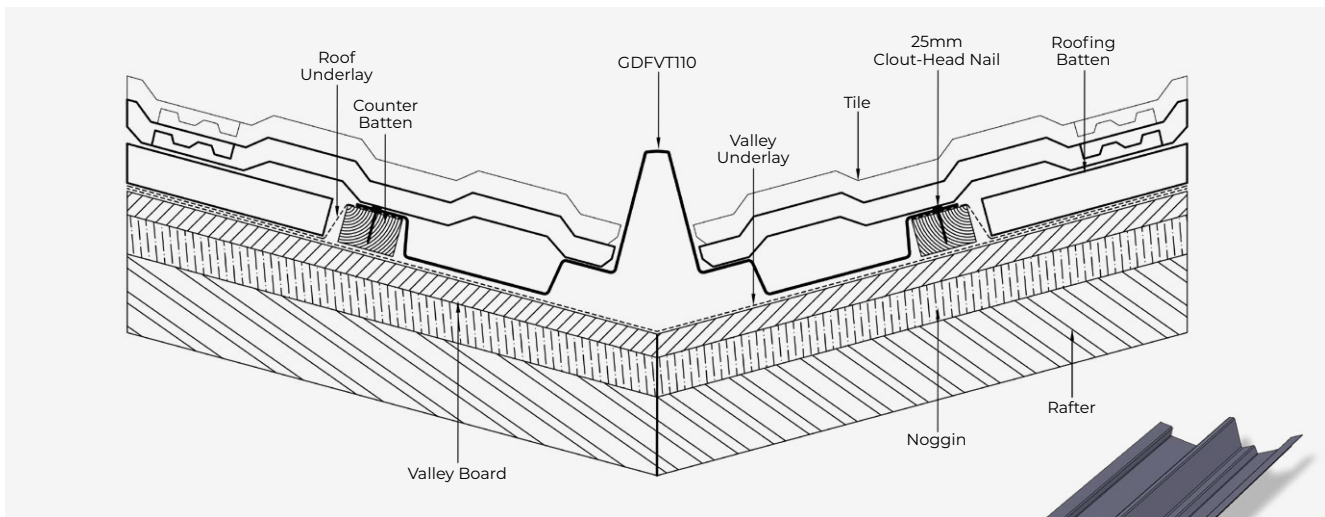
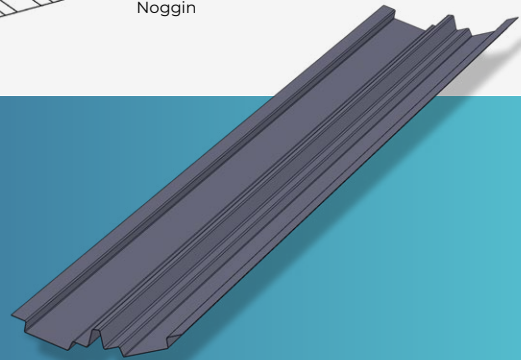
MORTAR-FREE VALLEY INSTALLATION FOR CLOSED VALLEY CONFIGURATIONS.



VALLEY TROUGH

Natural or man-made slates
3000 x 400 x 70mm

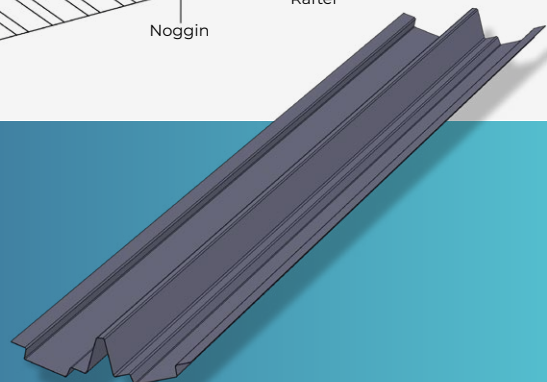
GDFVT70



VALLEY TROUGH

Concrete or clay tiles and slates
3000 x 400 x 110mm

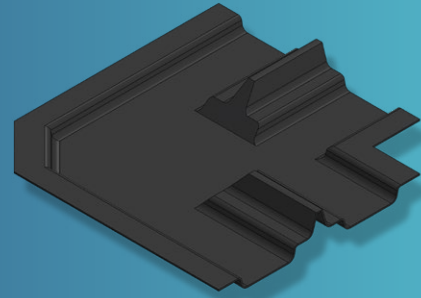
GDFVT110



OVER-BATTEN, DRY-FIX, END CLOSURES

90° TOP CLOSURES

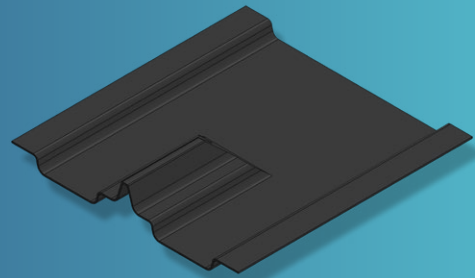
Designed for use with GDFVT70 and GDFVT110 valley troughs where adjacent roof pitches are equal.



DFVTC70 / DFVTC110

EAVES CLOSURES

Designed for termination at the eaves with GDFVT70 and GDFVT110 valley troughs.



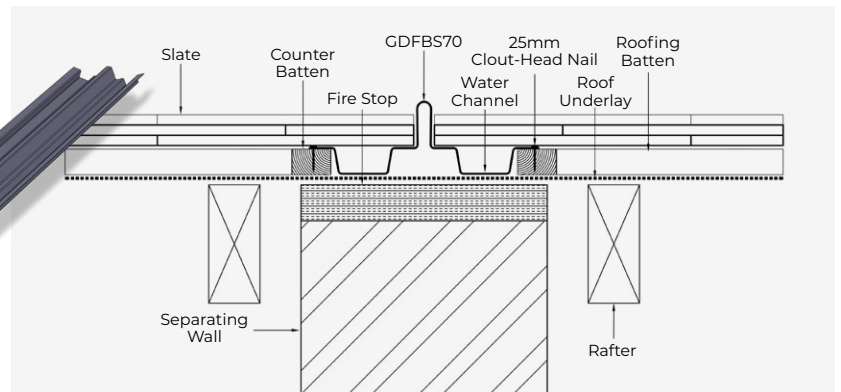
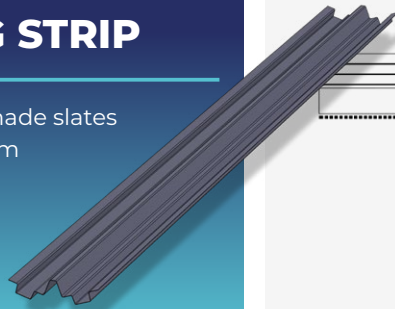
DFVTC70 / DFVTC110

OVER-BATTEN, DRY-FIX BONDING STRIPS

DRY-FIX BONDING STRIP

Natural or man-made slates
3000 x 225 x 70mm

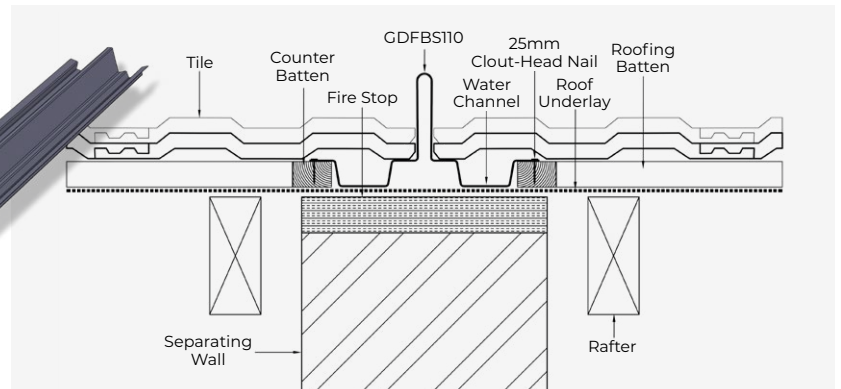
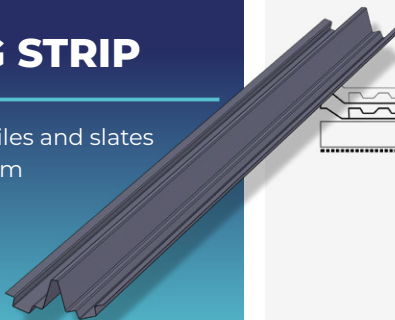
GDFBS70



DRY-FIX BONDING STRIP

Concrete or clay tiles and slates
3000 x 225 x 110mm

GDFBS110



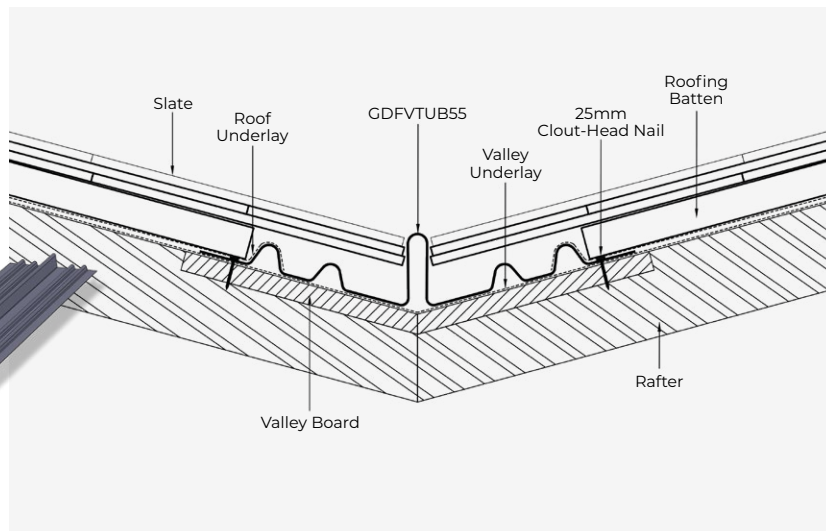
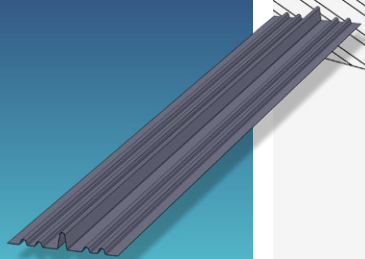
DRY-FIX RANGE – UNDER BATTEN

DESIGNED FOR **CLOSED VALLEY INSTALLATION.**

VALLEY TROUGH

Natural or man-made slates
3000 x 400 x 55mm

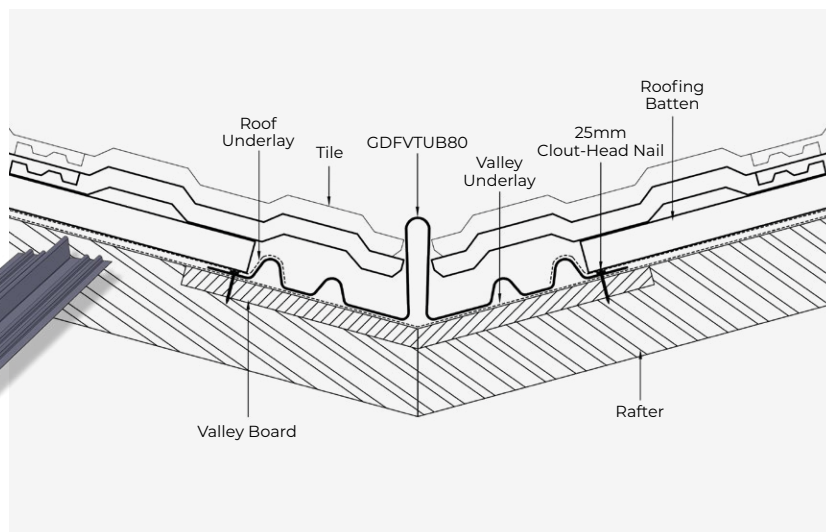
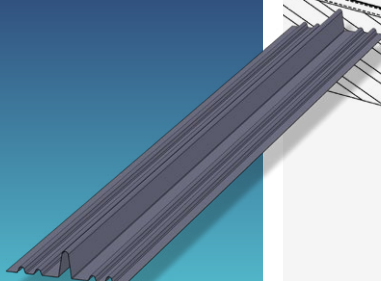
GDFVTUB55



VALLEY TROUGH

Low profile and plain tiles
3000 x 400 x 80mm

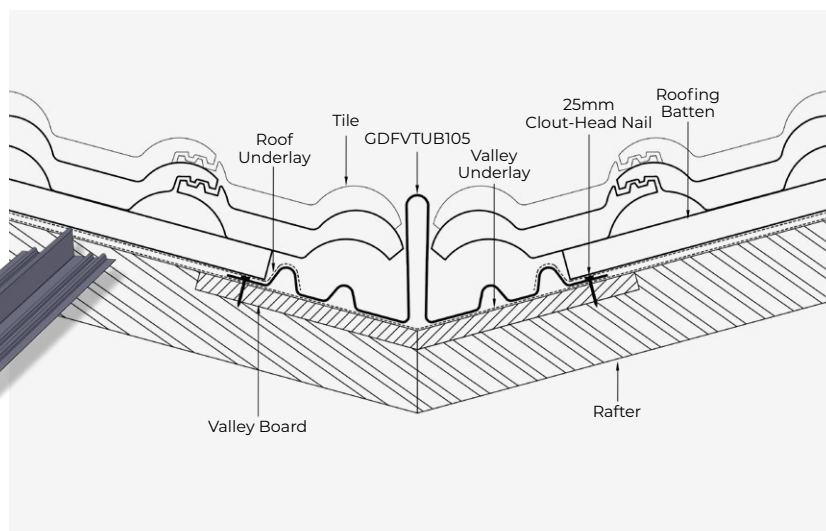
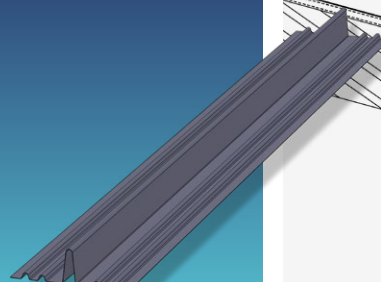
GDFVTUB80



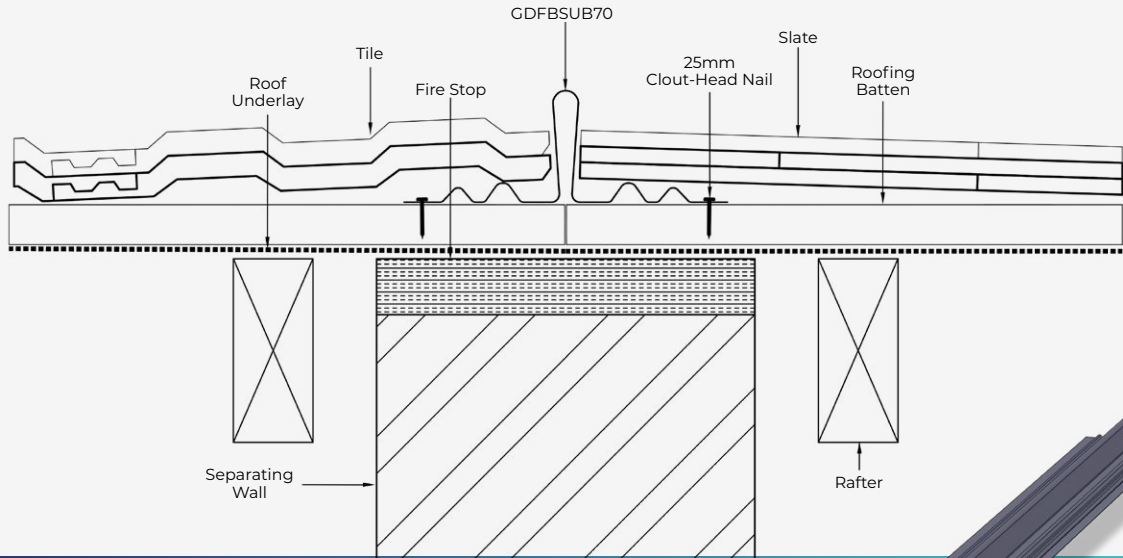
VALLEY TROUGH

High profile tiles
3000 x 400 x 105mm

GDFVTUB105



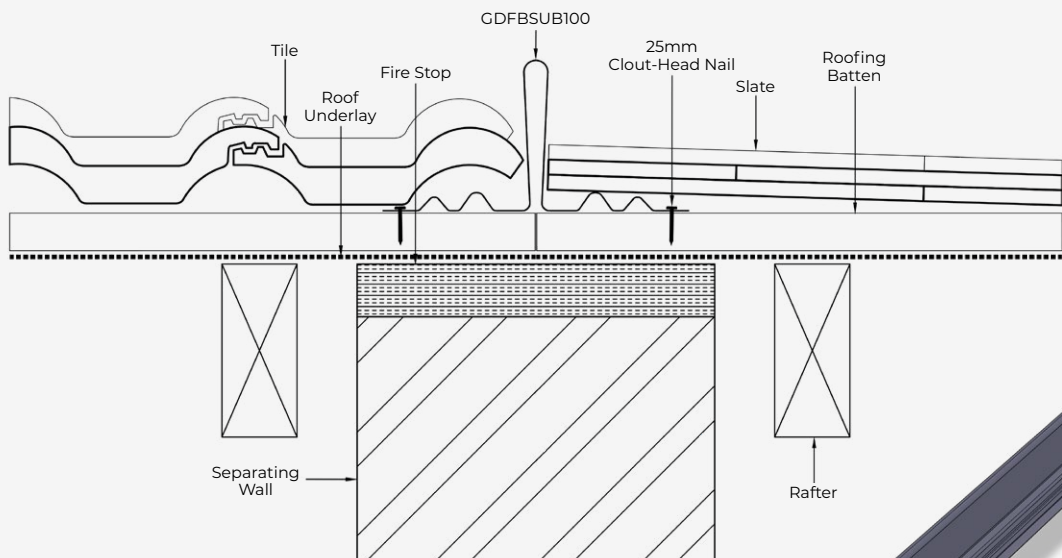
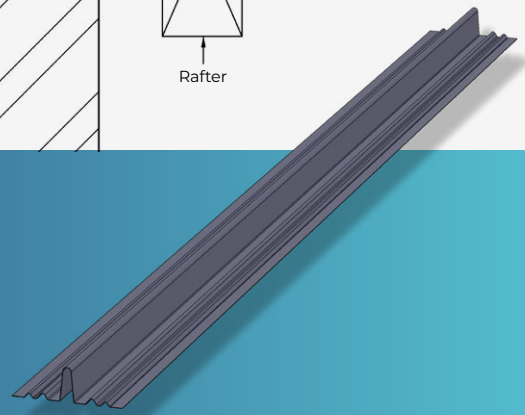
UNDER-BATTEN, DRY-FIX, BONDING STRIPS



DRY-FIX BONDING STRIP

Low-profile tiles and slates
3000 x 225 x 70mm

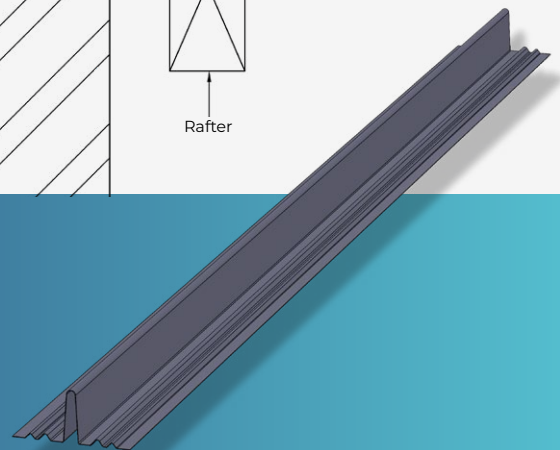
GDFBSUB70



DRY-FIX BONDING STRIP

High profile tiles
3000 x 225 x 100mm

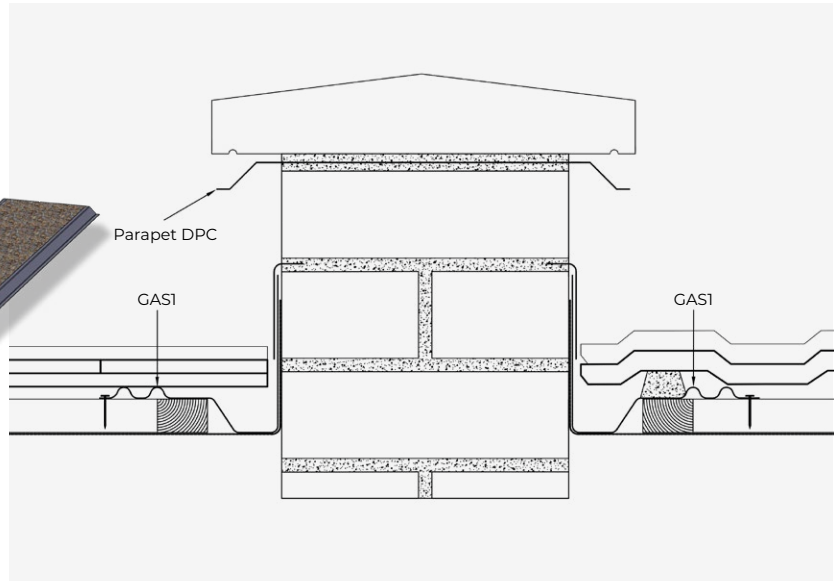
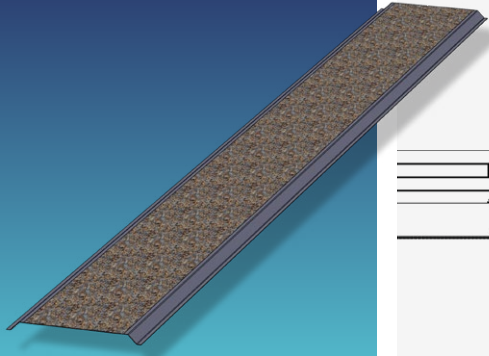
GDFBSUB100



OTHER V-FLOW RANGE PRODUCTS

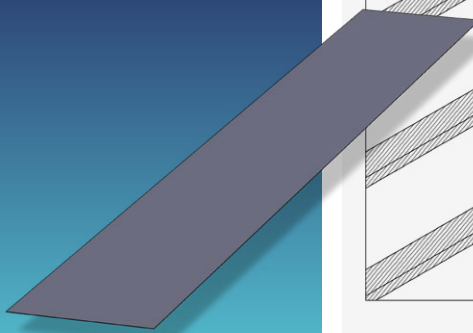
PARAPET DPC

3000 x 310 x 20mm

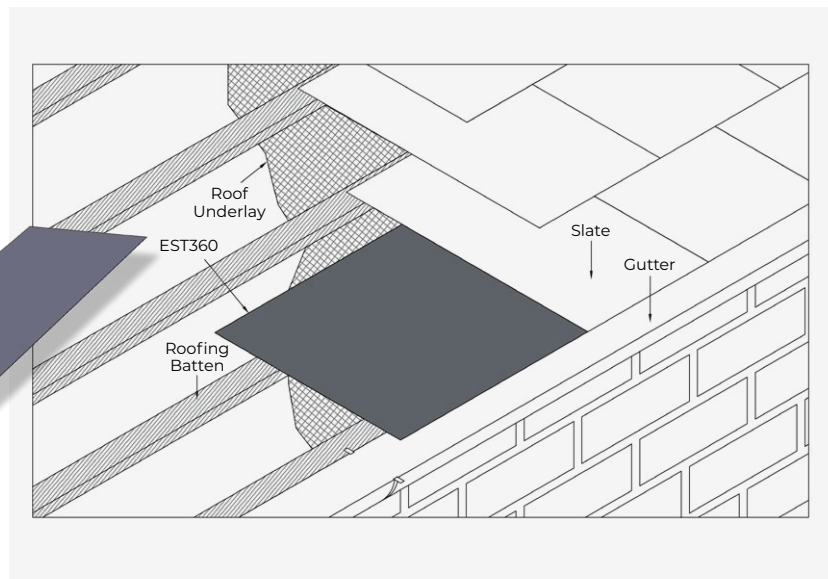


EAVES SUPPORT TRAY

3000 x 360mm

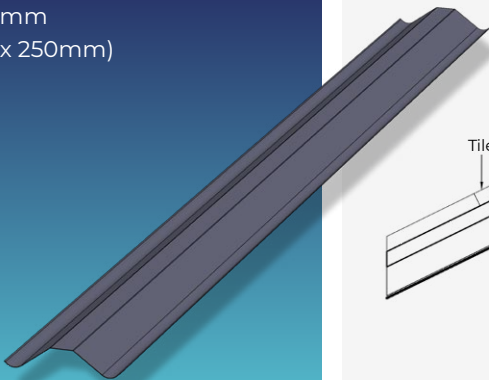


EST360

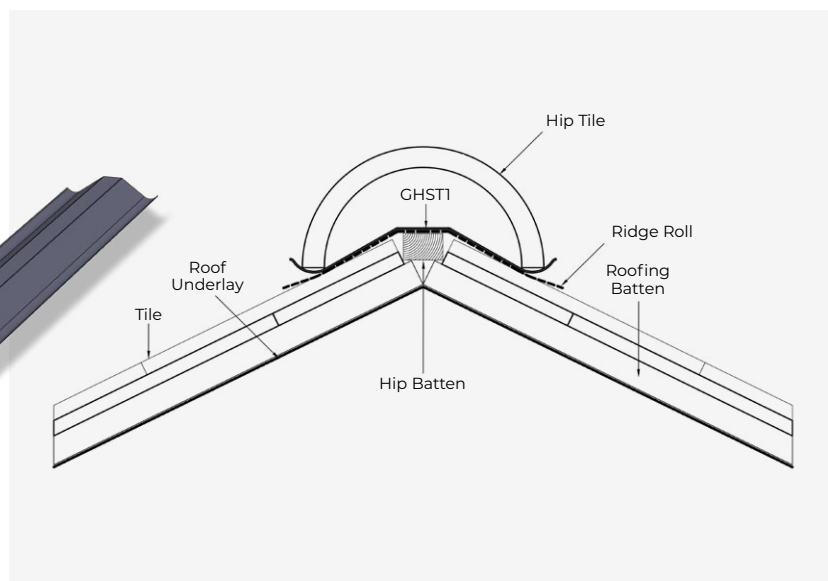


HIP SUPPORT TRAY

3000 x 250mm
(Also 2700 x 250mm)



GHST1



FILON VALLEY TROUGHS

TWO APPROACHES. **ONE** MATERIAL.
CONSISTENT RESULTS.

Whether open or closed design, both ConSeal and V-Flow Valley Troughs are built around the same principle: consistent GRP manufacture delivering highly cost-effective, repeatable valley detailing.

ConSeal

provides a stitched-valley appearance using our patented dry-fix profile.



V-Flow

provides valley trough configurations designed as a practical alternative to traditional lead.



BOTH SYSTEMS OFFER:

- Lower material weight compared to lead
- Consistent manufactured profile
- No scrap resale value
- Service life exceeding 30 years when installed and maintained in accordance with guidance

Valley detailing simplified without compromising performance.

SPECIFICATION CONFIDENCE

ConSeal Valley Trough is protected by UK Patent No. GB2613936 and BBA Certificate No. 07/4492.

The majority of the V-Flow range is covered by BBA Certificate No. 07/4492. For more information please contact the Filon Technical Department.

FIRE CLASSIFICATIONS INCLUDE:

- **BS 476 Part 3 – SAB.**
- **BS 476 Part 7 – Class 3.**
- **BS EN 13501-5 – B_{ROOF} (t4).**

Manufactured under BS EN ISO 9001 quality management and ISO 14001 environmental management systems.

Test documentation, installation guidance and technical drawings are available to support specification.



FILON – GRP CONSTRUCTION SPECIALIST

Beyond valley troughs, Filon has led the development of GRP profiled sheets since the late 1950s, applying the durability and lightweight properties of GRP to roofing and cladding applications.

THE FILON RANGE INCLUDES:

- Standard profiled in-plane GRP rooflights
- Enhanced reinforcement ranges including DR24, DR30 and Supasafe
- GRP FAIRs factory assembled insulating rooflights
- Fixsafe safety fixing system for replacing rooflights and roof sheets from inside the building
- Filon Citadel opaque and translucent profiled sheets for harsh and corrosive environments
- Monarch-F GRP barrel vault rooflights
- DR Refurb opaque coloured GRP sheets for replacing old asbestos and metal profiled roof and wall sheets
- Filon Over-Roofing lightweight GRP system providing an additional waterproof skin without removing existing asbestos cement roof sheets and without increasing overall roof load in typical applications
- Bespoke specialist flat and profiled sheet products



Filon is a UK manufacturer focused on practical GRP solutions.

FILON[®]

CONTACT US

Filon Products Ltd
Unit 3 Ring Road, Zone 2,
Burntwood Business Park
Burntwood, Staffordshire
WS7 3JQ, UK

Tel: +44 (0)1543 687300

Email: sales@filon.co.uk

www.filon.co.uk

Disclaimer: Information is provided in good faith and may change as product data and standards are updated. Always refer to the latest version on our website.